



ELECTROLUX OUTDOOR PRODUCTS

| | |
|-------|-----------------------------------|
| brand | MC CULLOCH; PARTNER; FLYMO |
|-------|-----------------------------------|

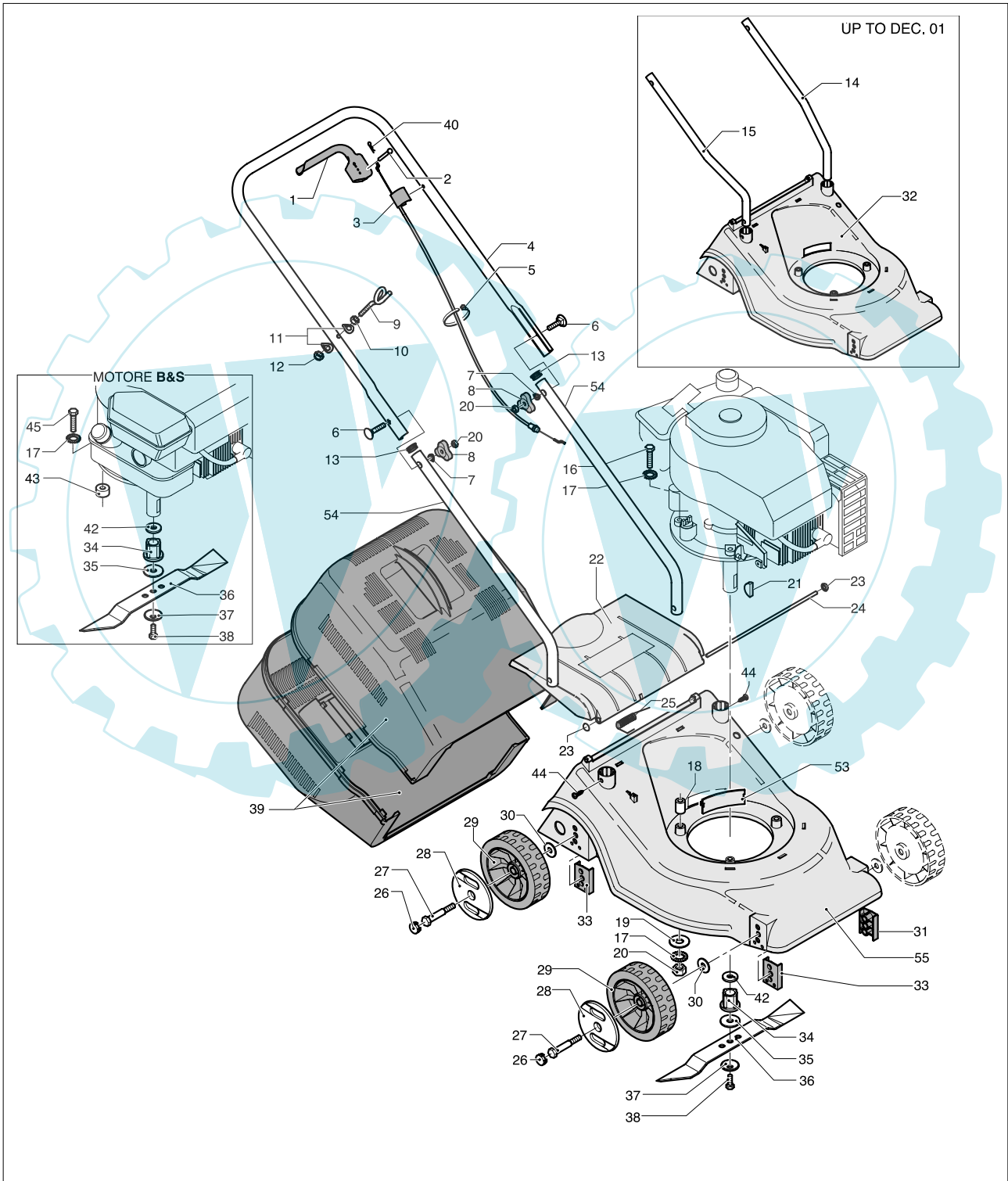
| | | |
|------|---------|-----------|
| date | 2002-01 | SHEET 1/2 |
|------|---------|-----------|

Model

| |
|----------------|
| LM3540P |
| 3540P |
| LC400 |

Product number

| |
|---|
| 9538780-01; 9538780-12 McCulloch |
| 9538781-01 Partner |
| 9538780-02; 9538750-13 Flymo |



The Electrolux Group. The world's No. 1 choice.

Ihr Ersatzteilspezialist im Internet



ELECTROLUX OUTDOOR PRODUCTS

| | |
|-------|---------------------------|
| brand | McCULLOCH; PARTNER; FLYMO |
|-------|---------------------------|

| | | |
|------|---------|-----------|
| date | 2002-01 | SHEET 2/2 |
|------|---------|-----------|

LM3540P; 3540P; LC400

| Pos | PN ELX | PN MEP | Q.ty | Note | Pos | PN ELX | PN MEP | Q.ty | Note |
|-----|--------------|------------|------|---------------------------|-----|--------------|------------|------|------------------------------|
| 1 | 531 20 60-27 | 10 1466 33 | 1 | | 38 | 531 20 80-08 | 20 1205 80 | 1 | TECNAMOTOR TEØ3/8"UNF x37 |
| 2 | 531 20 74-09 | 10 6514 00 | 1 | | | | | | B&S |
| 3 | 531 20 64-29 | 10 1652 50 | 1 | TECNAMOTOR mm 1290/135 | 38 | 531 20 70-86 | 10 4006 00 | 1 | TEØ3/8"UNF x50 |
| 3 | 531 20 64-38 | 10 1653 30 | 1 | B&S mm 965/144,5 | 39 | 531 20 63-95 | 10 1650 33 | 2 | |
| 4 | 531 20 60-69 | 10 1501 23 | 1 | | 40 | 531 20 74-08 | 10 6513 00 | 1 | |
| 5 | 531 20 55-81 | 10 1356 00 | 1 | | 42 | 531 20 71-22 | 10 4289 00 | 1 | TECNAMOTOR Ø 10/21/2 |
| 6 | 531 20 70-89 | 10 4024 01 | 2 | TTSQ M8X50 | 42 | 531 20 71-22 | 10 4289 00 | 3 | B&S Ø 10/21/12 |
| 7 | 531 20 70-90 | 10 4024 02 | 2 | Ø 8,5 | 43 | 531 20 57-32 | 10 1402 13 | 3 | B&S Ø 8/18/H5 |
| 8 | 531 20 49-23 | 10 1143 03 | 2 | | 44 | 531 20 79-37 | 10 8780 00 | 2 | TCTC 3.9x16 |
| 9 | 531 20 51-69 | 10 1214 70 | 1 | | 45 | 531 20 71-07 | 10 4078 00 | 3 | UNI 5737 TE M8x65 |
| 10 | 531 20 71-65 | 10 5012 00 | 1 | M6 | 53 | 531 20 64-55 | 10 1655 03 | 1 | |
| 11 | 531 20 49-61 | 10 1159 00 | 2 | Ø 6 | 54 | 531 21 07-04 | 10 1656 03 | 2 | FROM DEC.01 |
| 12 | 531 20 84-91 | 20 2818 00 | 1 | M6 NYLON | 55 | 531 21 11-04 | 10 1656 31 | 1 | YELLOW |
| 13 | 531 20 89-50 | 20 8333 03 | 2 | | 55 | 531 21 11-35 | 10 1656 3V | 1 | ORANGE |
| 14 | 531 20 64-13 | 10 1651 43 | 1 | | | | | | |
| 15 | 531 20 64-12 | 10 1651 33 | 1 | | | | | | |
| 16 | 531 20 66-81 | 10 2910 00 | 3 | TE M8x60 | | | | | |
| 17 | 531 20 79-81 | 20 1062 00 | 6 | Ø 8E | | | | | |
| 18 | 531 20 64-17 | 10 1651 80 | 3 | H.26,5 | | | | | |
| 19 | 531 20 49-04 | 10 0663 00 | 3 | Ø 8/24 | | | | | |
| 20 | 531 20 79-82 | 20 1063 00 | 5 | M8 | | | | | |
| 21 | 531 20 49-07 | 10 1009 00 | 1 | 4x6,5 DIN 6888 | | | | | |
| 22 | 531 20 63-90 | 10 1650 21 | 1 | YELLOW | | | | | |
| 22 | 531 21 05-77 | 10 1650 2V | 1 | ORANGE | | | | | |
| 23 | 531 20 66-90 | 10 2928 00 | 2 | Ø 6 | | | | | |
| 24 | 531 20 64-16 | 10 1651 70 | 1 | Ø 6x340 | | | | | |
| 25 | 531 20 63-99 | 10 1650 50 | 1 | | | | | | |
| 26 | 531 20 64-22 | 10 1652 01 | 4 | | | | | | |
| 26 | 531 21 06-98 | 10 1652 0V | 4 | | | | | | |
| 27 | 531 20 79-77 | 20 1016 00 | 4 | | | | | | |
| 28 | 531 20 64-05 | 10 1650 91 | 4 | YELLOW | | | | | |
| 28 | 531 21 06-97 | 10 1650 9V | 4 | ORANGE | | | | | |
| 29 | 531 20 64-01 | 10 1650 73 | 4 | Ø 160 | | | | | |
| 30 | 531 20 79-89 | 20 1130 00 | 4 | Ø 10/30 | | | | | |
| 31 | 531 20 64-15 | 10 1651 63 | 2 | | | | | | |
| 32 | 531 20 63-83 | 10 1650 11 | 1 | YELLOW | | | | | |
| 32 | 531 21 05-76 | 10 1650 1V | 1 | ORANGE | | | | | |
| 33 | 531 20 64-19 | 10 1651 93 | 2 | | | | | | |
| 34 | 531 20 72-42 | 10 5316 00 | 1 | | | | | | |
| 35 | 531 20 72-43 | 10 5317 00 | 1 | | | | | | |
| 36 | 531 20 62-16 | 10 1580 13 | 1 | cm.40 | | | | | |
| 37 | 531 20 72-37 | 10 5309 00 | 1 | | | | | | |